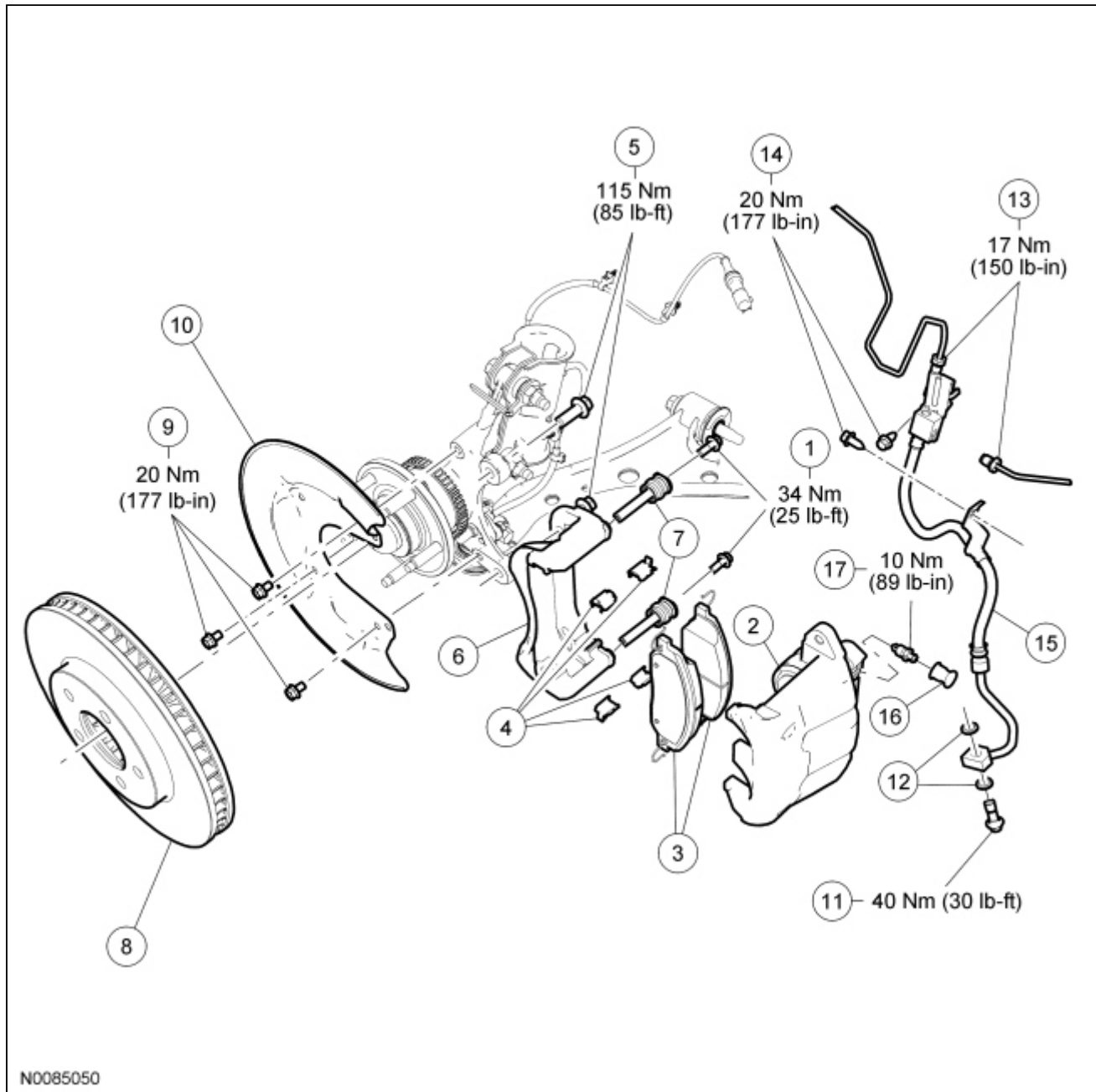


Disc Brake System — Exploded View

4.0L SOHC and 4.6L (3V)

NOTE: LH shown, RH similar.

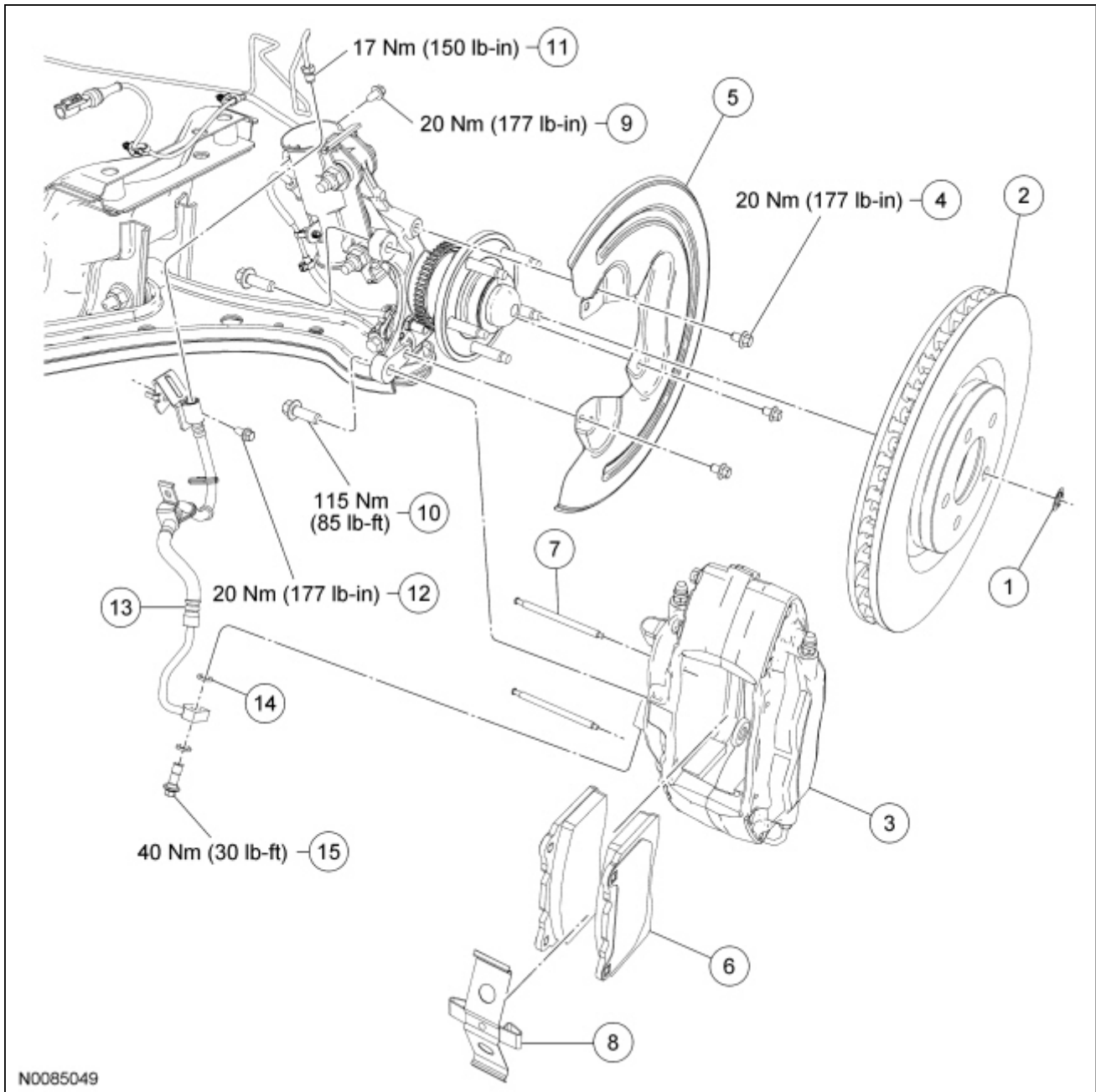


Item	Part Number	Description
1	—	Brake caliper guide pin bolts (part of 2B134, also part of 2001)
2	2C357 RH/ 2C358 LH	Brake caliper
3	2001	Brake pads kit
4	—	Spring clips (part of 2001)
5	W710233	Brake caliper anchor plate bolts

6	2B134	Brake caliper anchor plate
7	—	Guide pins (part of 2B134)
8	1125	Brake disc
9	W500020	Brake disc shield bolts
10	2K004	Brake disc shield
11	W712275	Brake caliper flow bolt
12	W712362	Copper washers
13	—	Brake tube fittings (part of 2C296)
14	N802191	Brake flexible hose bracket bolts
15	2078 RH/ 2B557 LH	Brake flexible hose
16	—	Bleeder screw cap (part of 2208)
17	2208	Bleeder screw

5.4L

NOTE: RH shown, LH similar



N0085049

Item	Part Number	Description
1	383609	Retaining nut
2	1125	Brake disc
3	2B220 RH/ 2B221 LH	Brake caliper
4	W500020	Brake disc shield bolt (3 required)
5	2K004	Brake disc shield
6	2001	Brake pad (2 required)
7	—	Brake pad mounting pin (2 required) (part of 2B164)
8	—	Spring retainer clip (part of 2K583)
9	N802191	Brake hose-to-strut bolt
10	W710233	Brake caliper bolt (2 required)
11	—	Brake tube fitting (part of 2C296)
12	N802191	Brake flexible hose bracket bolt
13	2078 RH/ 2B557 LH	Brake flexible hose

14	W712362	Copper washer (2 required)
15	W712275	Brake caliper flow bolt

1. **NOTE:** A revised part, with the same base part number, has been released for the RH brake hose. When installing a new RH brake hose, position the anti-rotation tab on the mounting bracket toward the front of the vehicle and install the bolt with the head toward the rear of the vehicle.

For additional information, refer to the procedures in this section.
